



HEAT &amp; WATER METERING



## NUBIS MWN 130-NC

**PROPELLER FLOW SENSOR WITH  
HORIZONTAL ROTOR AXIS  
DN40 TO DN300**



The product is a propeller flow sensor intended for heat meters, with a horizontal rotor axis, aligned in parallel to the water piping centre line, and a low startup threshold. The latest engineering and processing design solutions applied in the product provide reliable readings and facilitate integration in non-standard installation configurations, including intermediate orientations between the horizontal and vertical ones, without any impact on the metrological ratings.

### APPLICATION

MWN 130-NC is a propeller flow sensor intended for integration with an indicating calculator of a heat meter. The propeller flow sensor can be applied in water metering systems with the medium temperature between 0.1°C and 130°C and a maximum operating pressure of the medium at 16 bars (PN 16). The propeller flow sensor can be installed in horizontal piping (**H**) with the counter upward or in vertical or tilted piping (**V**) with the counter to the side — or at any orientation in between the two (**H/V**) — of heat supply systems at multi-family houses or industrial facilities.





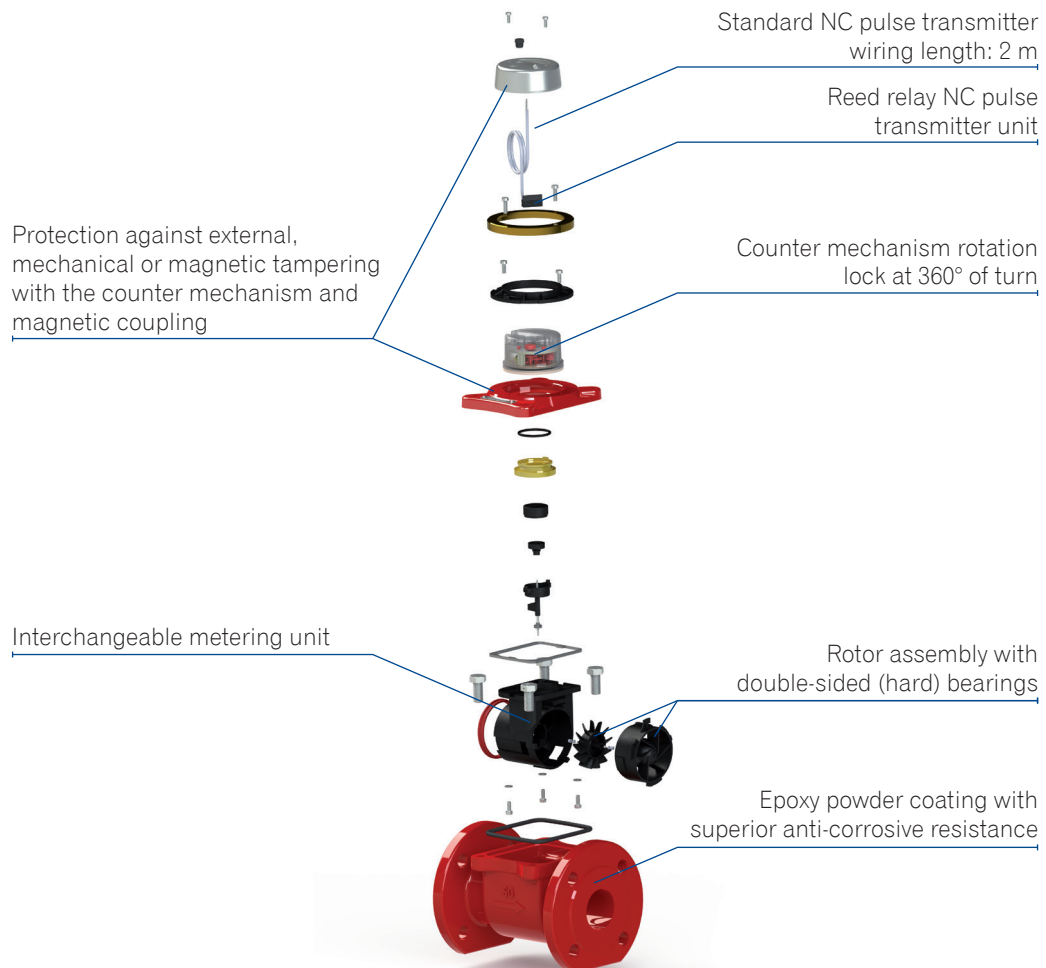
## ADVANTAGES

- Economy:
  - Wide measurement range with a low starting threshold
  - Protection against tampering with EM fields (magnetic shielding), mechanical tampering (counter security cover) and multiple rotations of the counter by more than 360°
- Convenience of use:
  - Easy installation
  - Modular design
- Reliability:
  - Robust, heavy-duty design
  - Unified interchangeable metering unit
  - High anti-corrosive and damage resistance performance of the paint coat (made by epoxy powder coating)



## KEY FEATURES

- Wide measurement range with a low starting threshold
- Hard propeller bearings
- Environmental class C
- Hermetically sealed dial and barrel counter
- Counter mechanism rotation lock at 360° of turn
- Easy reading by freely rotating the counter at any orientation
- Resistant to external magnetic fields
- Low pressure loss



**TECHNICAL DATA**

Type	MWN 130-		40-NC	50-NC	65-NC	80-NC	100-NC	125-NC	150-NC	200-NC	250-NC	300-NC	
Nominal diameter	DN	mm	40	50	65	80	100	125	150	200	250	300	
Minimum flow rate	$q_i$	m <sup>3</sup> /h	0.6	0.6	1	1.6	2.4	4	6	10	40	60	
Nominal flow rate	$q_p$	m <sup>3</sup> /h	15	15	25	40	60	100	150	250	400	600	
Maximum flow rate	$q_s$	m <sup>3</sup> /h	30	30	50	80	120	200	300	500	800	1200	
Measurement range, R	$q_p/q_i$	-	25	25	25	25	25	25	25	25	10	10	
Indicating range	-	m <sup>3</sup>	10 <sup>6</sup>						10 <sup>7</sup>				
Resolution of reading	-	m <sup>3</sup>	0.0005						0.005		0.05		
Maximum permitted pressure	$P_{max}$	-	PN16										
Operating pressure range	-	bar	0.3 to 16										
Maximum pressure loss	$\Delta P$	-	$\Delta P_{10} = (0.10 \text{ bar})$										
Temperature range:	-	-	$\theta_{min} = 0.10^\circ\text{C}$ , $\theta_{max} = 130^\circ\text{C}$										
Minimum upstream/downstream straight-line piping length	-	mm	0										
Operating orientation	-	-	H, V										
Maximum permitted error (accuracy class 3)	$E_f$	%	$\pm(3+0.05 q_p/q_i)$ , and up to $\pm 5\%$										
Environmental class	-	-	C										
Reed relay NC pulse transmitter	-	dm <sup>3</sup> /pulse	2,5;10; 25; <b>100</b> (std. pulse); 250; 1000									250; <b>1000</b> (std. pulse); 2500; 10000;	
Length	L	mm	200	200	200	225 200*	250	250	300	350	450	500	
Height	H	mm	177	187	197	219	229	257	357	382	427	497	
	h	mm	65	72	83	95	105	120	135	160	193	230	
	H <sub>1</sub> **	mm	277	287	297	339	349	377	582	607	652	722	
	D <sub>2</sub>	mm	150	165	185	200	220	250	285	340	400	460	
Weight		kg	8.3	10.3	11	13.7 14.2*	16	18.5	40.5	51.5	75.5	103.5	

\*) On request.  
\*\*) Metering unit's removal clear height.

Flange bolt pattern: PN-EN 1092-2 (PN10), DIN2532, DIN2501 (NP10), BS4504 (NP10); PN16 (NP16) available on request.

**REGULATORY AND STANDARD COMPLIANCE**

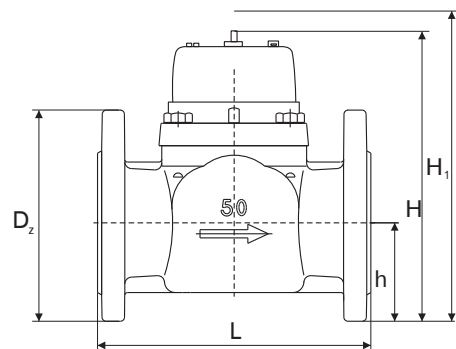
- MID: Directive 2004/22/EC of the European Parliament and of the Council of 31 March 2004 on the harmonisation of the laws of the Member States relating to the making available on the market of measuring instruments
- EN 1434-1:2007 Heat meters, Parts 1-6
- OIML R 75:2002 and OIML R 75:2006 Heat meters, Parts 1-3
- EC type examination certificate no. SK 11-MI004-SMU001
- Classification of environmental, climate and mechanical conditions: Class B (ref. PN-EN 14154-3:2005:A1)
- Classification of mechanical environment conditions: Class M1 (ref. Polish Regulation Dz.U. 2006.12.18)
- Classification of electromagnetic environment conditions: Class E1 (ref. Polish Regulation Dz.U. 2006.12.18)

**TEMPERATURE RANGE**

$\theta_{min} 0.1^\circ\text{C}$  to  $\theta_{max} 130^\circ\text{C}$

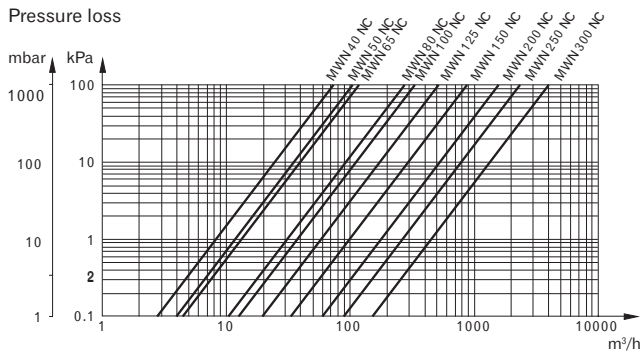
**METROLOGICAL CLASS (MID)**

Class 3 - H, V

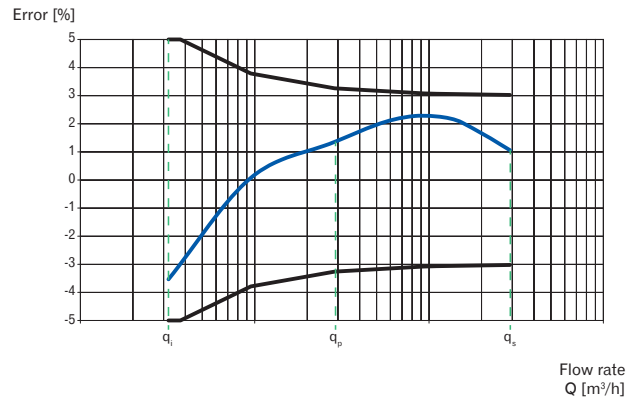




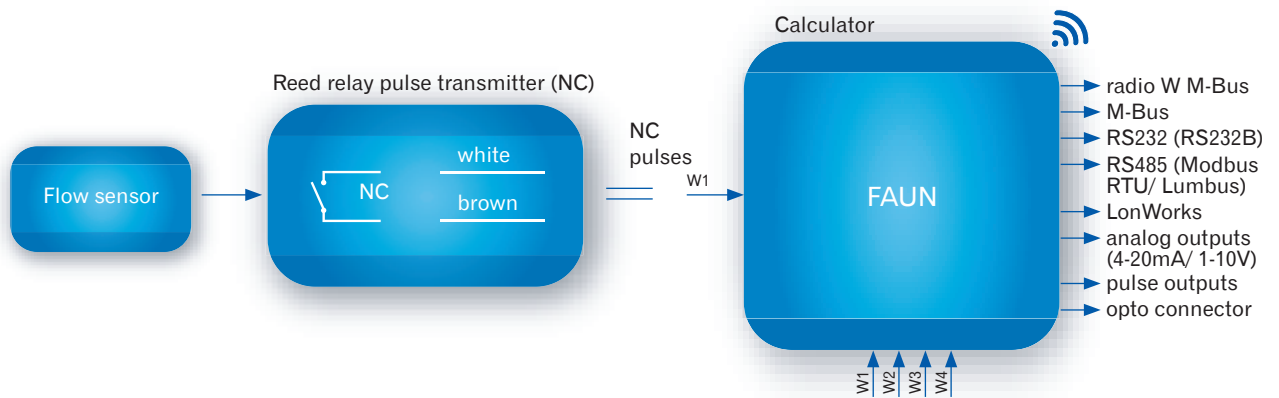
### PRESSURE LOSS CHART



### TYPICAL ERROR CHART



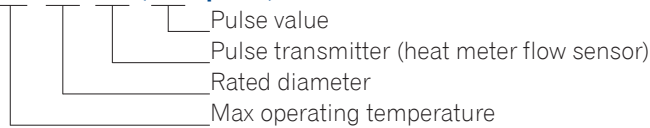
### EXAMPLES OF CONNECTIONS FOR A REMOTE TRANSMISSION OF READINGS AND FLOW RATE MEASUREMENT



### ORDERING CODE EXAMPLE

■ Code

**MWN 130 - 65 - NC (100 l/pulse)**



■ Other information

- Flange bolt pattern (see Technical Data above)



Apator Powogaz S.A.  
 ul. Klemensa Janickiego 23/25, 60-542 Poznań  
 e-mail: handel@powogaz.com.pl  
 Office: phone +48 61 8418 101, fax: +48 61 8470 192  
 Sales: phone +48 61 8418 ext. 133 / 136 / 138 / 148  
 Export: phone +48 61 8418 139

www.apator.com